



# PL-S Short 2-Pin Base

PL-S ALTO 13W/827 GX23/2P 1CT

Philips Linear Compact Fluorescent Lamps offer designers, specifiers and end-users new levels of efficiencies and versatility in sizes, configurations and application possibilities. With so many elegant fixtures available to complement their small size, high light output and advanced technology, Philips Energy Advantage lamps are fast becoming the preferred choice when maximum efficiency and sleek design solutions are required.

## Product data

### • General Characteristics

Base	GX23 [Two-Pin Compact Fluorescent; high preheat current; four retainers]
Base Information	2P
Life to 10% failures EM	6500 hr
Avg. Life	10000 hr
LSF EM 2000h Rated, 3h cycle	99 %
LSF EM 4000h Rated, 3h cycle	98 %
LSF EM 6000h Rated, 3h cycle	95 %
LSF EM 8000h Rated, 3h cycle	86 %

### • Light Technical Characteristics

Color Code	827 [CCT of 2700K]
Color Rendering Index	82 Ra8
Color Designation	Incandescent White
Color Temperature	2700 K
Luminous Flux EM 25°C, Nominal	825 Lm
LLMF EM 2000h Rated	94 %
LLMF EM 4000h Rated	91 %
LLMF EM 6000h Rated	89 %
LLMF EM 8000h Rated	86 %
Design Temperature	28 C
Chromaticity Coordinate X	455 -

Chromaticity Coordinate Y 417 -

### • Electrical Characteristics

Watts	13 W
Lamp Wattage EM 25°C, Nominal	13 W
Lamp Voltage EM 25°C	55 V
Lamp Current EM 25°C	0.290 A
Dimmable	No

### • Environmental Characteristics

Energy Efficiency Label (EEL)	B
Mercury (Hg) Content	1.4 mg

### • Product Dimensions

Base Face to Base Face A	139.5 (max) mm
Insertion Length B	155.2 (max) mm
Overall Length C	177.7 (max) mm
Diameter D	28 (max) mm
Diameter D1	13 (max) mm

### • Product Data

Product number	146811
Full product name	PL-S ALTO 13W/827 GX23/2P 1CT
Short product name	PL-S 13W/827/2P/ALTO 10PK
Pieces per Sku	1
eop_pck_cfg	10

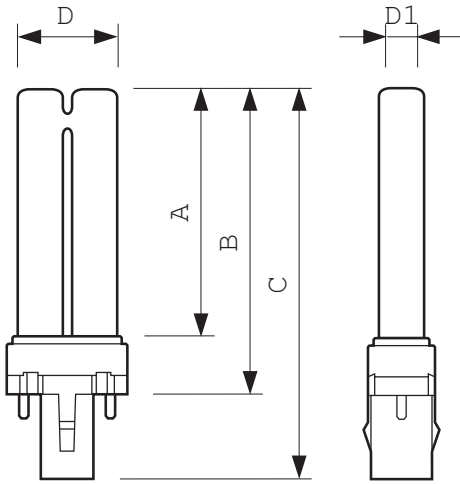
**PHILIPS**

# PL-S Short 2-Pin Base

Skus/Case 10  
 Bar code on pack 46677146818  
 Bar code on case 50046677146813

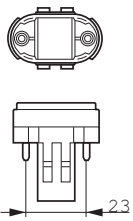
Logistics code(s) 927902782721  
 tpd\_ilcos\_cd FSD-13/27/1B-I-GX23  
 eop\_net\_weight\_pp 35.000 gr

## Dimensional drawing



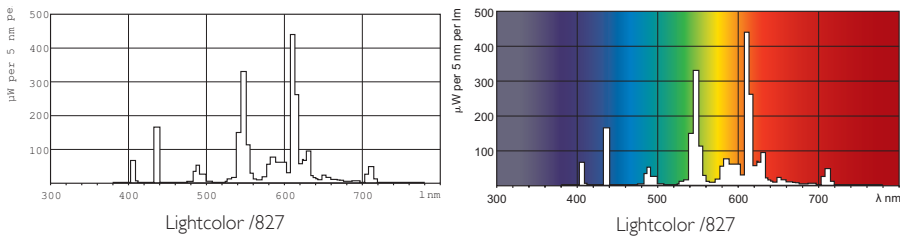
### PL-S ALTO 13W/827 GX23/2P 1CT

Product	A (Max)	B (Max)	C (Max)	D (Max)	D1 (Max)
PL-S ALTO 13W/827/2P	139.5	155.2	177.7	28	13



GX23

## Photometric data



© 2014 Koninklijke Philips N.V. (Royal Philips)  
 All rights reserved.

Specifications are subject to change without notice. Trademarks are the property of Koninklijke Philips N.V. (Royal Philips) or their respective owners.

[www.philips.com/lighting](http://www.philips.com/lighting)

2014, February 1  
 data subject to change